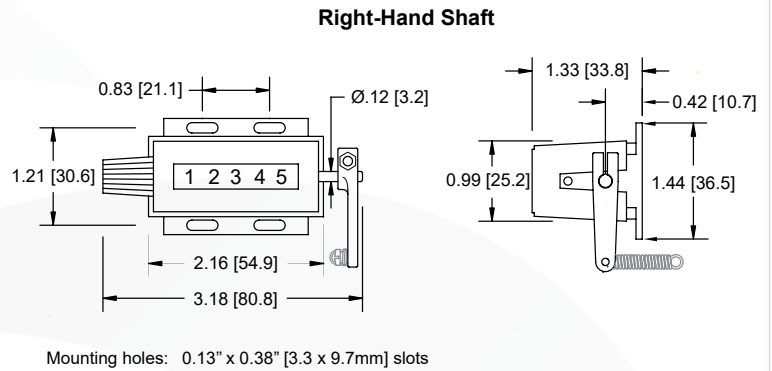


# 20 Series

## Mechanical Stroke Counter



A highly versatile, 5 figure stroke counter. Numbers are large and distinctive for easy viewing, even when above or below eye level. Ruggedly built for years of trouble-free use. An excellent choice for counting parts produced.

### Key Features

- Durable
- Large figures
- Reliable
- Optional large reset knob

### Applications

- Punch Press
- Machine Cycles
- Secondary Machines

### Specifications

<b>Figures</b>	5 figures, white on black, 0.19" [5mm] high
<b>Reset</b>	Knob
<b>Speed</b>	1,000 counts/minute
<b>Rotation</b>	Top-coming or top-going
<b>Count Stroke</b>	49° Min. - 60° Max.
<b>Shaft Extension</b>	Right-hand
<b>Shaft Diameter</b>	0.125" [3.2mm]
<b>Operating Life</b>	Beyond 10 million counts
<b>Temp. Range</b>	-15°F to +140°F [-26°C to +60°C]
<b>Weight</b>	1.5 oz. [43g]

### Part Numbers

**1-2035**

Right-hand, top-coming, standard reset knob